

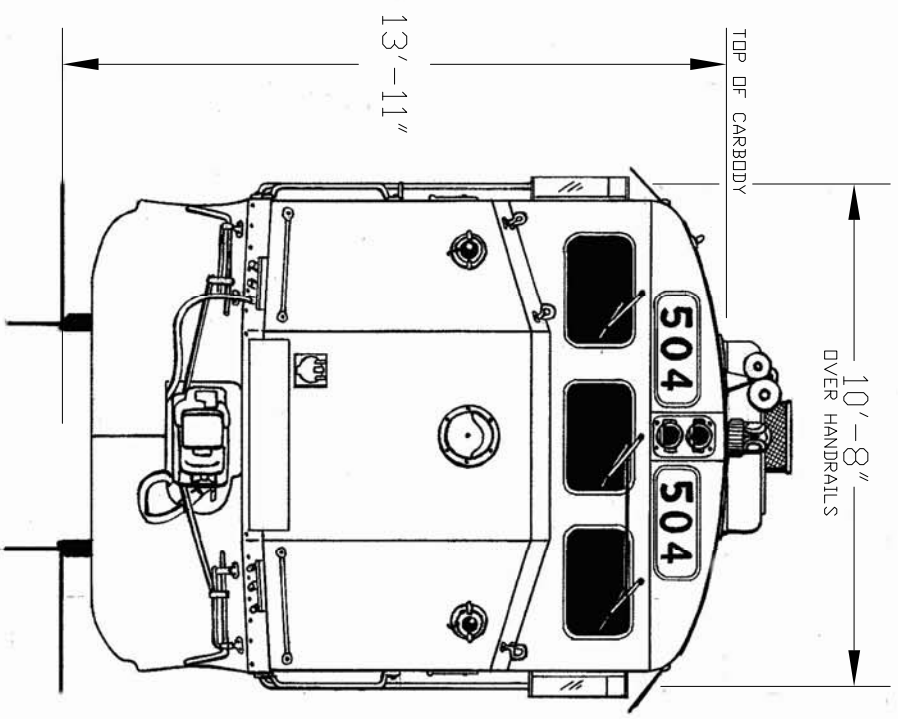
70'-0" OVER COUPLERS

43'-0" TRUCK CENTERS

14'-1"

13'-6"

DUE 11-78



10'-8" OVER HANDRAILS

TOP OF CARBODY

13'-11"

504

504

PRINT 1:1 FOR D SCALE  
 COPYRIGHT 2013 DENNIS EGGERT